



Adjustable heights
Umbrella and closure holder
Wheels for an easy transport

PRATICO

WORKING STATION



**3 ADJUSTABLE
HEIGHTS**

**COMPARTMENT FOR
PROTECTION SLEEVES**

NON-SLIP ABS SURFACE

**CUSTOMIZABLE WITH
DIFFERENT ACCESSORIES**

ACCESSORIES

CLOSURE FIXING CLAMP

Closure can be either fixed
horizontally or vertically

Code:TAVKITMUF

UMBRELLA HOLDER

Code:TAVKITPO

TROLLEY KIT

For a handy transport and to
carry equipment
(closure fixing clamp included)

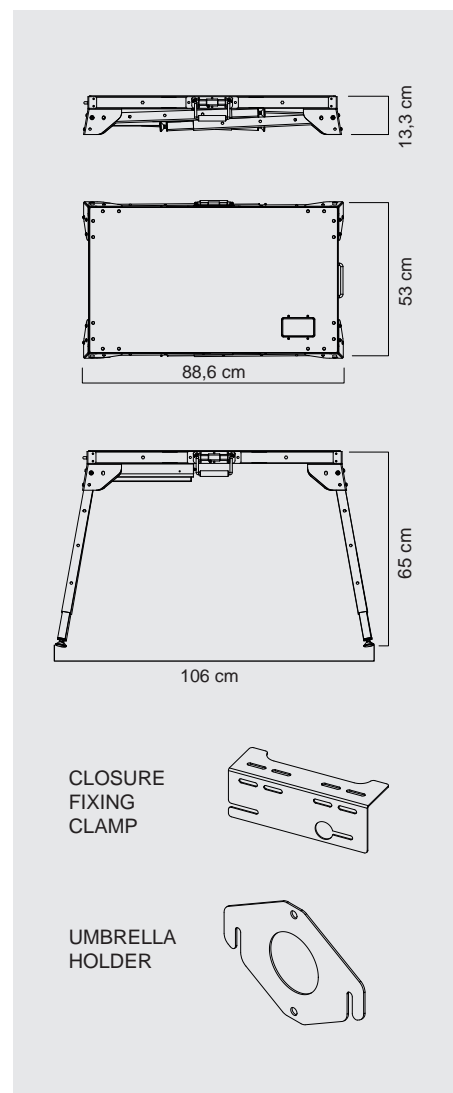
Code:TAVKITTRL

DRAWER TO STORE EQUIPMENT

Code: TAVKITCAS

TECHNICAL SPECIFICATIONS

MATERIAL	Steel	
WORKING SURFACE	ABS 3mm	
WIDTH	88,6 cm	
DEPTH	53 cm	
ADJUSTABLE HEIGHTS	65/77/90 cm	
HEIGHT (CLOSED)	13,3 cm	
WEIGHT	14 Kg (without accessories) 19 kg (full accessorized)	
	Umbrella holder	0,5 Kg
	Closure fixing clamp	0,5 Kg
	Tools drawer	2 Kg
	Trolley kit	2 Kg



- 1 ABS SURFACE
- 2 ADJUSTABLE HEIGHTS FROM 65 TO 90 cm
- 3 ADJUSTABLE FEET (MAX 6 CM)
- 4 HANDLE FOR EASY TRANSPORT
- 5 COMPARTMENT FOR PROTECTION SLEEVES
- 6 DRAWER TO STORE EQUIPMENT
- 7 HANDLE FOR TROLLEY VERSION
- 8 CLOSURE FIXING CLAMP
- 9 UMBRELLA HOLDER
- 10 WHEELS FOR A HANDY TRANSPORT