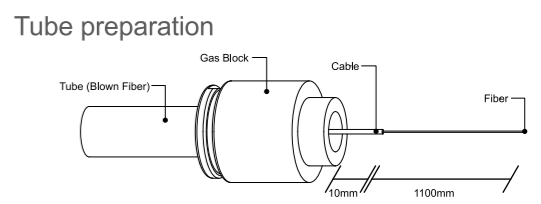
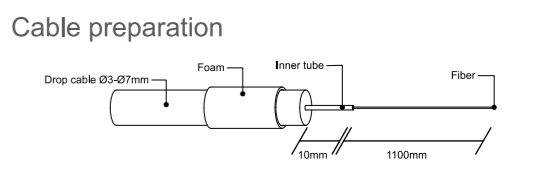
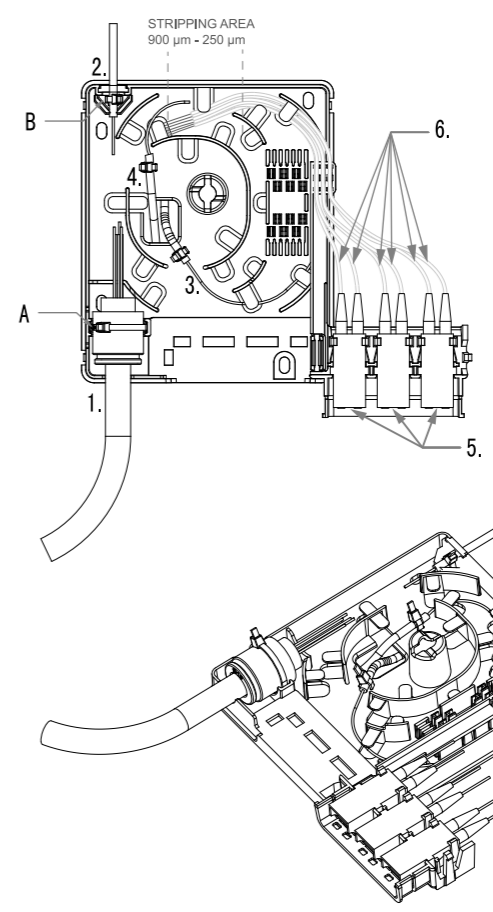
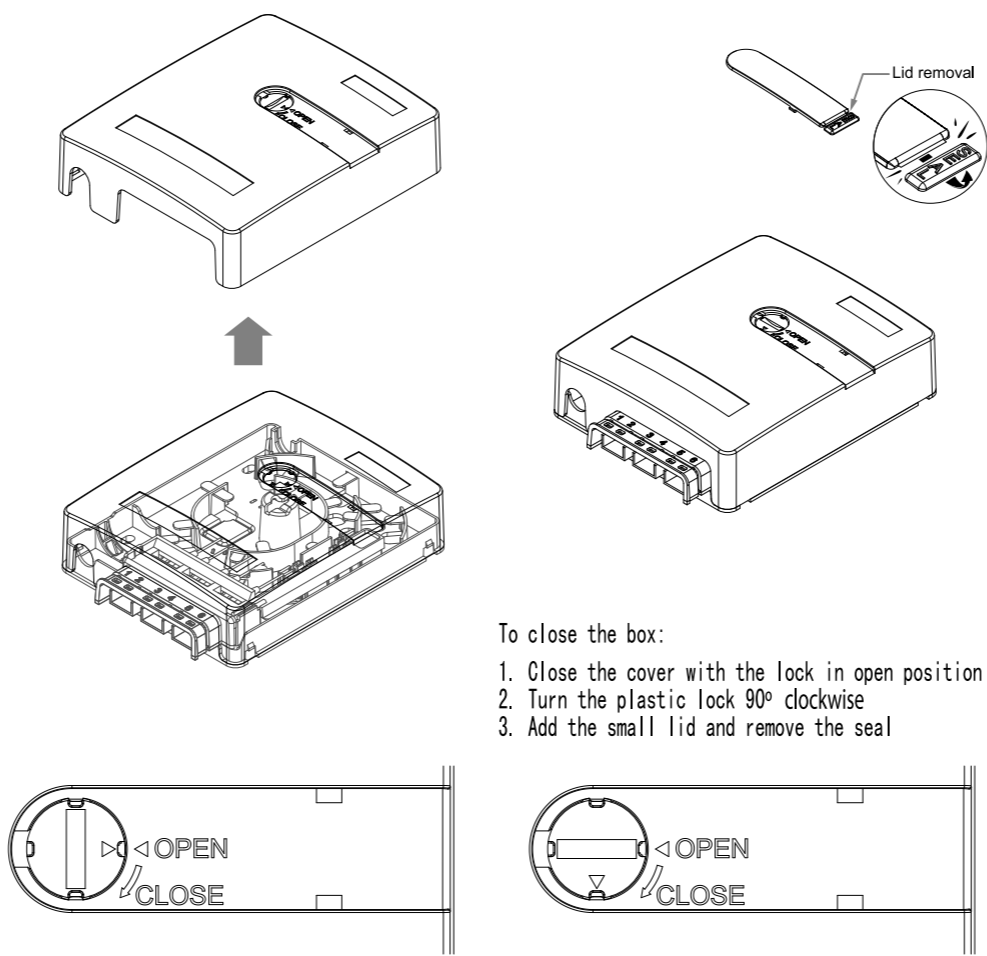
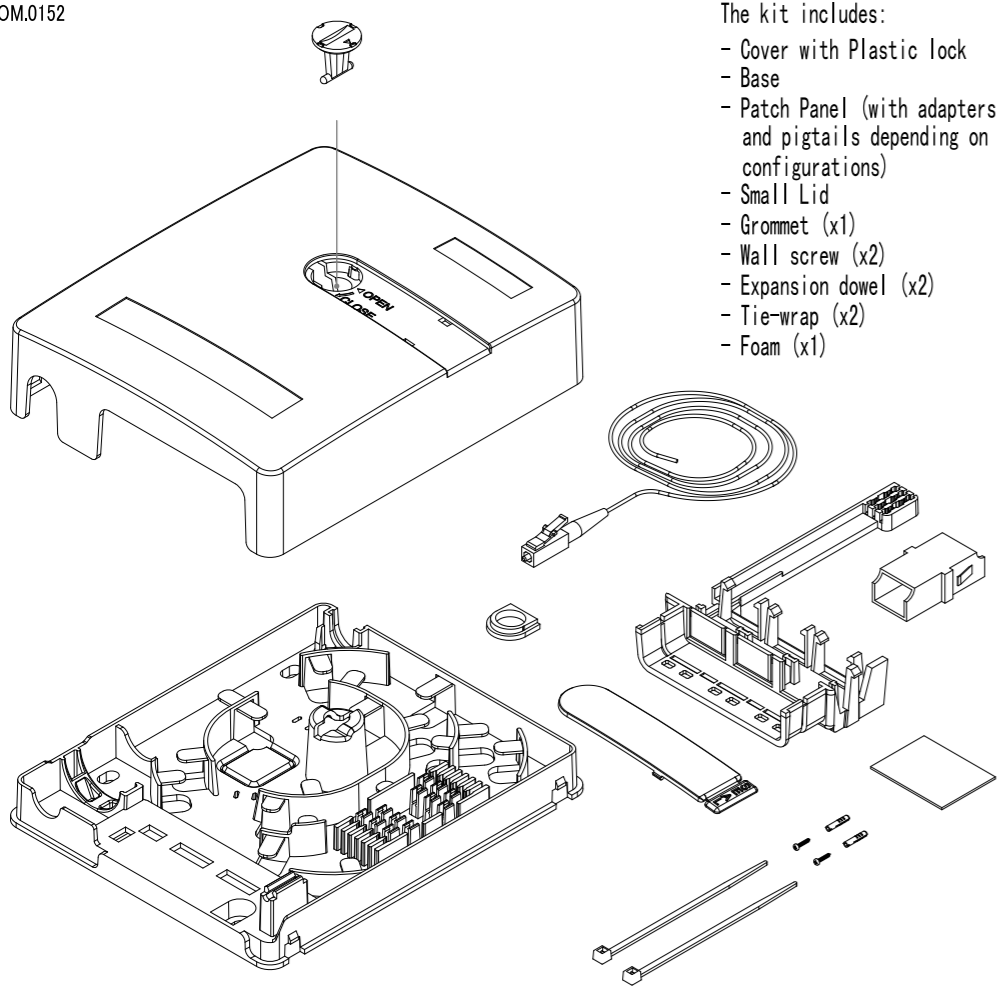


1COM.0152



1. Blown fiber tube
2. Top exit for satellite box
3. Back exit for satellite box
4. Back entrance for incoming fibers
5. Adapters
6. Pigtails
- A. Attaching Gasblock device
- B. Attaching satellite cable

